

[www.eskavalve.com](http://www.eskavalve.com)

**ESKA**



ESKA VALVE is gas equipment producer (Gas Pressure Regulators, Gas Filters and Valves) in Turkey since 1968. Our certified products are being used in civic and industrial areas all around the world.

For 50 years, our product portfolio, operations and ESKA VALVE family has grown and still keep growing. Ingenuity, reliability and hard work led us to be the market leader in Turkey and expanded our international operations in more than 30 countries in global scale. By the time you read this text , probably we will be reaching out another locations and placing our products into grids.

By examining, following and applying 133 national and international standards from our R&D Department library, and with our Quality Department's deep commitment to test each and every product on over 100 inspection-test points have made us to produce annually more than 1.000.000 accurate and reliable unit products which 52 gas distribution companies trust worldwide .

Hope to gain your trust and see you in our ever-growing family.

**ESKA**

# ESKA

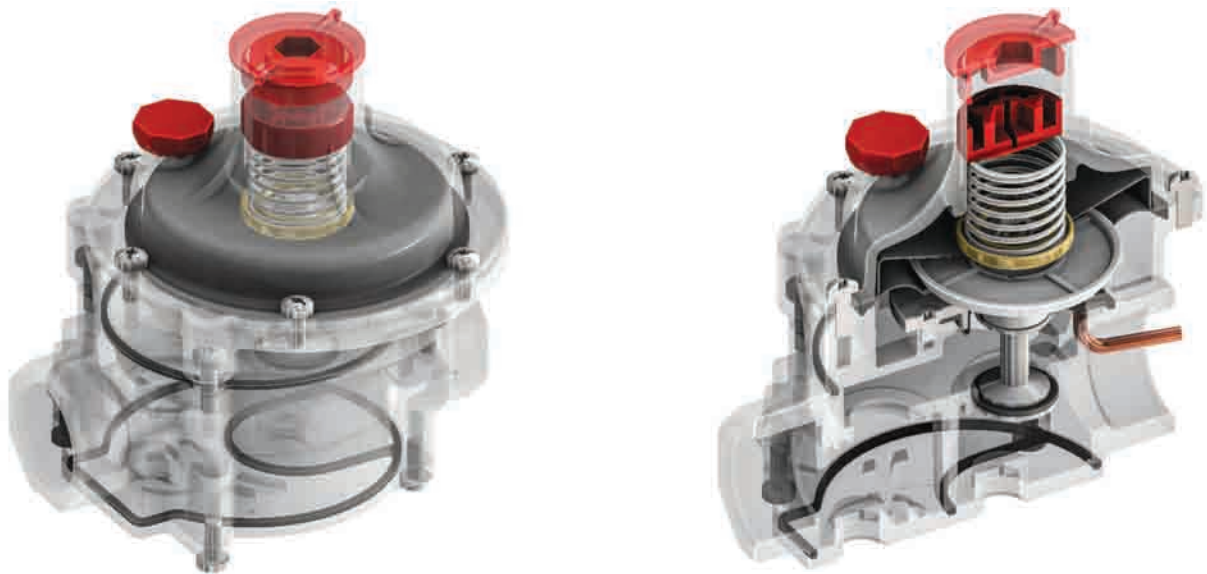
[www.eskavalve.com](http://www.eskavalve.com)



**ERG**  
**SERIES**

**INTRODUCTORY**

ERG series gas pressure regulators are used in the gas lines in order to reduce maximum 1 bar input pressure to the desired output pressure between 16 and 150 mbar. The range of the output pressure can be set with the choice of a different spring.



**ERG 1015 - 1020 - 1025**

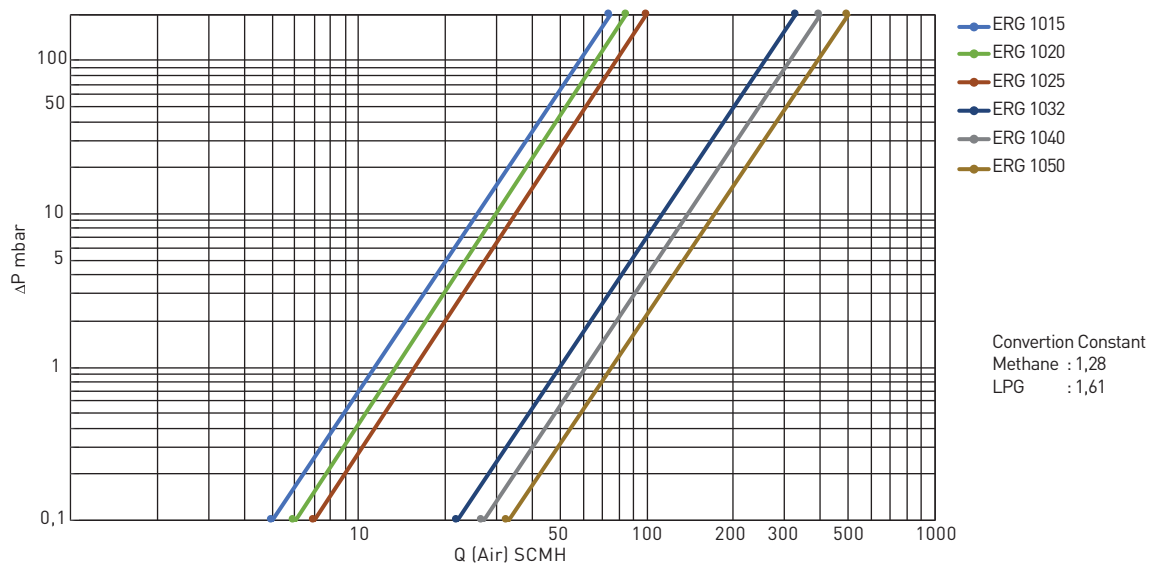


**ERG 1032 - 1040 - 1050**

## TECHNICAL INFORMATION

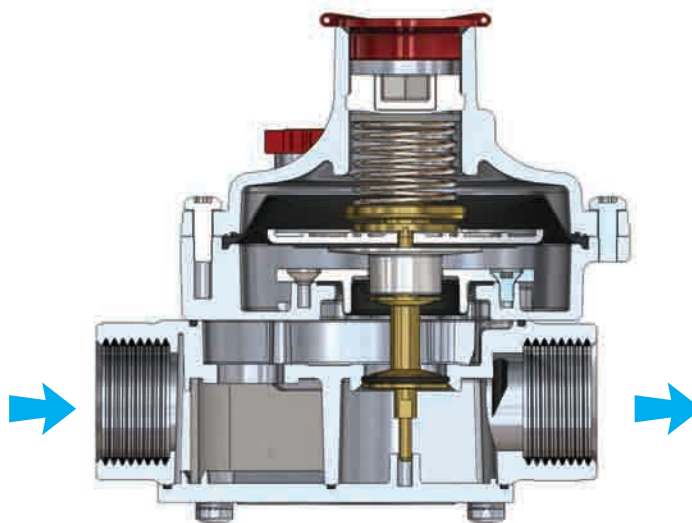
- Usage : City gas networks and gas pipelines in industrial areas
- Medium : Non-corrosive gases such as Natural Gas (Methane), LPG, Town Gas, Air, etc...
- Pressure Class : PN1
- Connection or Port Size : 1/2", 3/4", 1", 1 1/4", 1 1/2", 2" Threaded (Female)
- Inlet Pressure Range : 50 mbar up to 1 bar
- Outlet Pressure Range : 16 mbar up to 150 mbar
- Filter : Optional
- Number of Stages : Single Stage
- Accuracy Class : AC 10 ( $\pm 10\%$ ) (On Request AC5, AC15, AC20)
- Lock Up Pressure Class : SG30 (+ 30%) (On Request SG10, SG20))
- Ambient Temperature : -20°C up to 60°C (On request -40 °C)
- Material Standard : Aluminum-EN 1706 / Brass-EN 12164 and EN 12165 / Rubber-EN 549
- According to Directives : 2014/68/EU

## ERG SERIES CAPACITY GRAPH



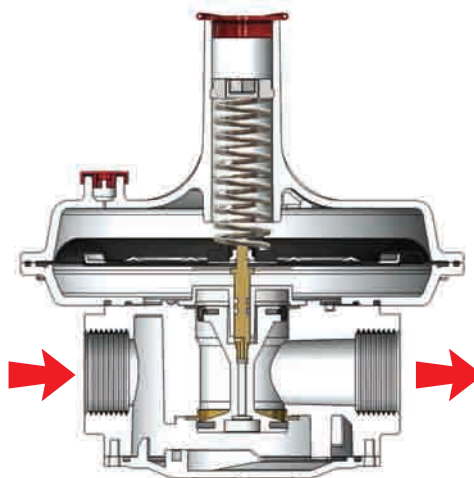
**CONFIGURATIONS**

INLINE



ERG 1015 - 1020 - 1025

INLINE

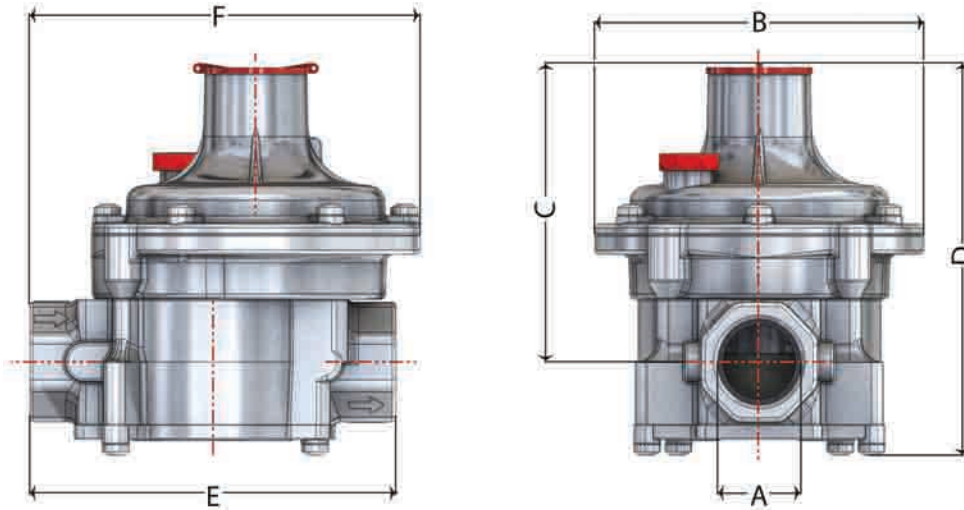


ERG 1032 - 1040 - 1050

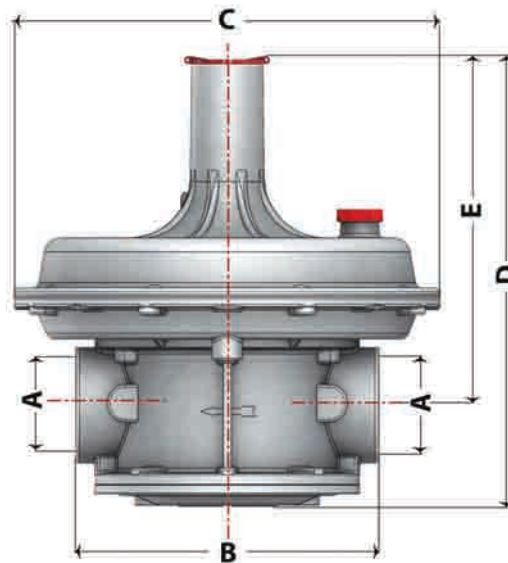
CONNECTION	OUTLET PRESSURE (21mbar)
1/2"	20 m <sup>3</sup> /h
3/4"	25 m <sup>3</sup> /h
1"	35 m <sup>3</sup> /h
1 1/4"	85 m <sup>3</sup> /h
1 1/2"	100 m <sup>3</sup> /h
2"	120 m <sup>3</sup> /h

FLOW RATE TABLE (FOR NATURAL GAS) AT INLET PRESSURE 300 mbar ACCURACY CLASS AC10

**DIMENSIONS**



MODEL	A	B	C	D	E	F
ERG 1015	1/2"	122	107	141	136	145
ERG 1020	3/4"	122	107	141	136	145
ERG 1025	1"	122	107	141	136	145



MODEL	A	B	C	D	E
ERG 1032	1 1/4"	160	225	237	183
ERG 1040	1 1/2"	160	225	237	183
ERG 1050	2"	162	225	259	192



**Eska Valve Ltd. Şti.**

Şeyhli Mh. Sağlık Sk. No:10  
Kurtköy - Pendik İSTANBUL

**T.** +90 (216) 313 38 52-54  
**F.** +90 (216) 313 38 56

info@eskavalve.com  
www.eskavalve.com

