

www.eskavalve.com

ESKA



ESKA VALVE is gas equipment producer (Gas Pressure Regulators, Gas Filters and Valves) in Turkey since 1968. Our certified products are being used in civic and industrial areas all around the world.

For 50 years, our product portfolio, operations and ESKA VALVE family has grown and still keep growing. Ingenuity, reliability and hard work led us to be the market leader in Turkey and expanded our international operations in more than 30 countries in global scale. By the time you read this text , probably we will be reaching out another locations and placing our products into grids.

By examining, following and applying 133 national and international standards from our R&D Department library, and with our Quality Department's deep commitment to test each and every product on over 100 inspection-test points have made us to produce annually more than 1.000.000 accurate and reliable unit products which 52 gas distribution companies trust worldwide .

Hope to gain your trust and see you in our ever-growing family.

ESKA

ESKA

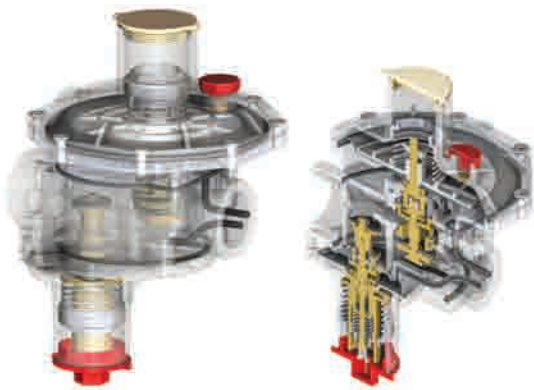
www.eskavalve.com



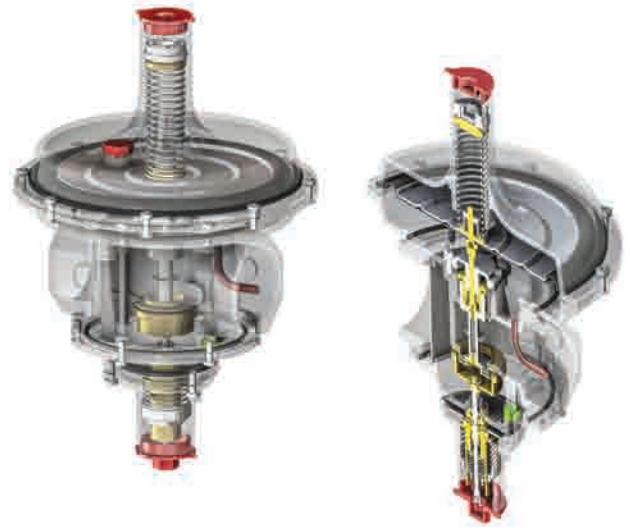
ERG-EH
SERIES

INTRODUCTORY

ERG-EH series gas pressure regulators are used in the gas lines in order to reduce maximum 5 bar input pressure to the desired output pressure between 16 and 500 mbar. The range of the output pressure can be set with the choice of a different spring. The regulator with safety stopping gets automatically active and stops the gas flow in case that the input pressure gets higher or lower than the adjusted value in order to ensure the safety of the devices used in the system thanks to the safe stopping system it includes.

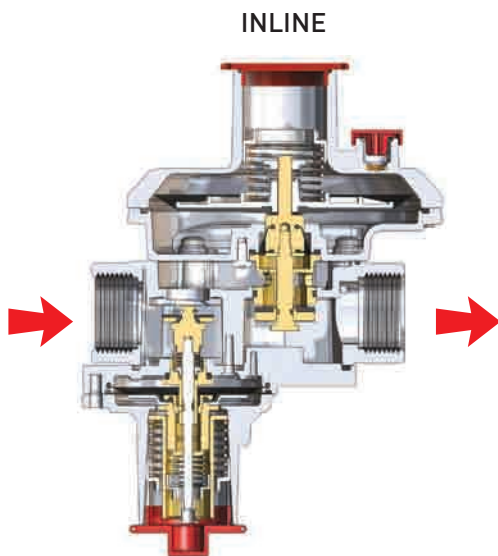


ERG-EH 1015 - 1020 - 1025

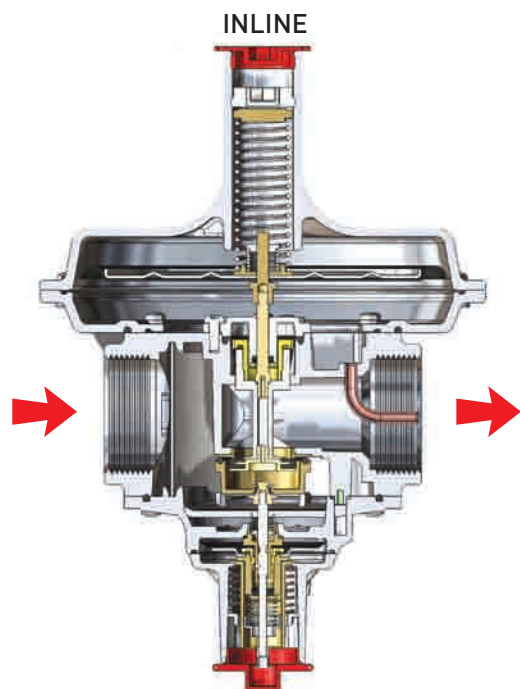


ERG-EH 1032 - 1040 - 1050

CONFIGURATIONS



ERG-EH 1015 - 1020 - 1025



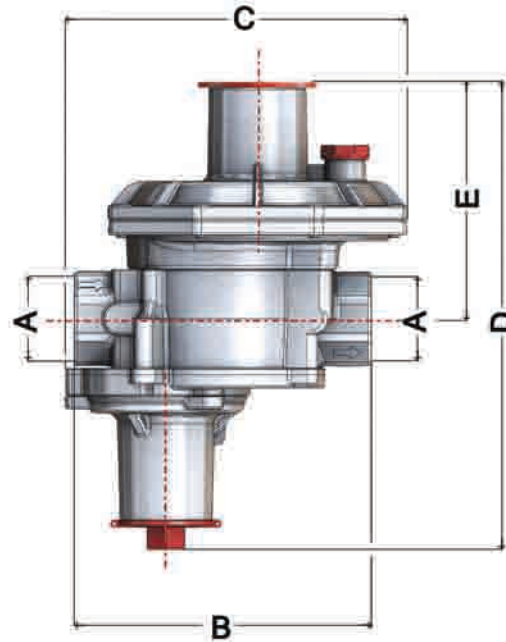
ERG-EH 1032 - 1040 - 1050

TECHNICAL INFORMATION

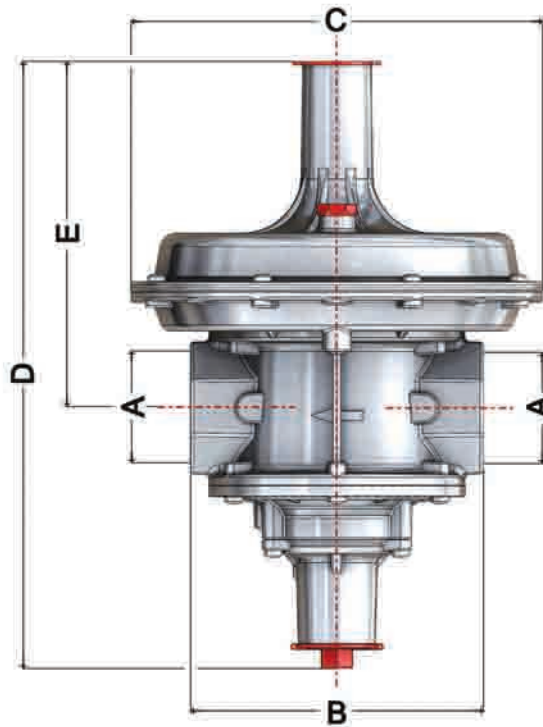
- Usage : City gas networks and gas pipelines in industrial areas
- Medium : Non-corrosive gases such as Natural Gas (Methane), LPG, Town Gas, Air, etc...
- Pressure Class : PN5
- Connection or Port Size : 3/4", 1", 1 1/4", 1 1/2", 2" Threaded and (Flanged)
- Inlet Pressure Range : 500 mbar up to 5 bar
- Outlet Pressure Range : 16 mbar up to 500 mbar
- Filter : Optional
- Number of Stages : Single Stage
- Accuracy Class : AC 10 (± 10%) (On Request AC5, AC15, AC20)
- Lock Up Pressure Class : SG30 (+ 30%) (On Request SG10, SG20))
- Ambient Temperature : -20°C up to 60°C (On request -40 °C)
- OPSO Pressure Range : 30 mbar up to 200 mbar
- OPSO Pressure Tolerance : 20%
- UPSO Pressure Range : 12 mbar up to 150 mbar
- UPSO Pressure Tolerance : 20%
- Shut Off Time : Less than 1 second
- Structural Additional Features : With Shutoff
- Material Standard : Aluminum-EN 1706 / Brass-EN 12164 and EN 12165 / Rubber-EN 549
- According to Directives : 2014/68/EU
- Capacity : Up to 1000m3/h



DIMENSIONS



MODEL	A	B	C	D	E
ERG-EH 1015	1/2"	136	156	215	110
ERG-EH 1020	3/4"	136	156	215	110
ERG-EH 1025	1"	136	156	215	110



MODEL	A	B	C	D	E
ERG-EH 1032	1 1/4"	160	225	332	183
ERG-EH 1040	1 1/2"	160	225	332	183
ERG-EH 1050	2"	160	225	332	183



Eska Valve Ltd. Şti.

Şeyhli Mh. Sağlık Sk. No:10
Kurtköy - Pendik İSTANBUL

T. +90 (216) 313 38 52-54
F. +90 (216) 313 38 56

info@eskavalve.com
www.eskavalve.com

