



C A B I N E T
S O L U T I O N S

S300 Wall Type Cabinets

Usage : Gas networks, industrial and domestic users

Dimensions : 210 x 535 x 1122

Flow Range: up to 500 m³/h

Regulator : ERG-H5 (link)

Inlet Pressure Range: up to 6 bar

Outlet pressure Range: 15 mbar to 2,5 bar

Inlet Connection: CAL25 (suitable for PE connection)

Outlet Connection: 2"

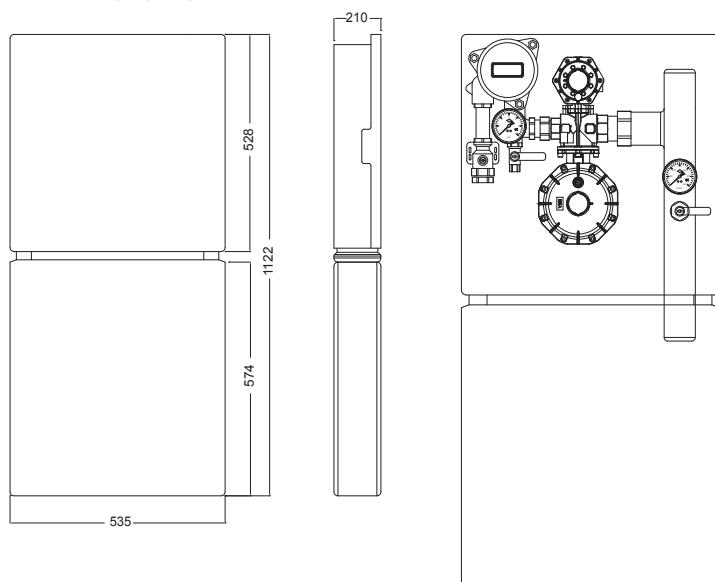
Security Options: OPS0-UPSO

Set Includes : B12 filter , gas pressure regulator,
inlet and outlet manometer,

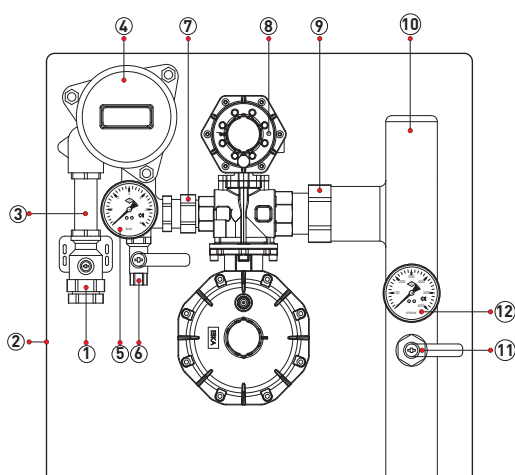
S300 NonFlammable composite cabinet,

cal 25 valve, inlet and outlet relief valves, 2" outlet pipe

DIMENSIONS



LEGEND



S300 CABINET SET			
No	Name	Description	Pcs
1	Inlet Valve	PN5, CAL25	1
2	S300 Cabinet	Standard	1
3	B12 Extension Nipple	Brass	1
4	B12 Cartridge Filter	Aluminum Alloy , Thread, PN6 90 degree	1
5	Inlet Manometer	1/4" Threaded, 63 Diameter, 0-6 bar, KL 2,5	1
6	Inlet Ball Valve	1/4", Threaded, with Blind Tap , EN331	1
7	Regulator Inlet Fitting	Brass	1
8	Gas Pressure Regulator	ERG-H5 , 1" x 1 1/2" Threaded, Q: 200m ³ /h, Pd: 300 mbar with Security Shut-Off	1
9	Regulator Outlet Fitting	Carbon Steel	1
10	Outlet Pipe	2", Zinc Coated	1
11	Outlet Manometer	1/4", Threaded, 63 Diameter, 0-600 mbar, KL 1,6	1
12	Outlet Ball Valve	1/4", Threaded, with Blind Tap, EN331	1

S2300 Wall Type Cabinets

Usage : Gas networks, industrial and domestic users

Dimensions : 380 x 215 x 500

Flow Range : 2,5-250 m³/h

Regulator : ERG-S, ERG-SE, ERG-SR, ERG-H1 (link)

Inlet Pressure Range: 0,5-6 bar (for 21mbar outlet

pressure), 1,5-6 bar (for 500mbar outlet pressure)

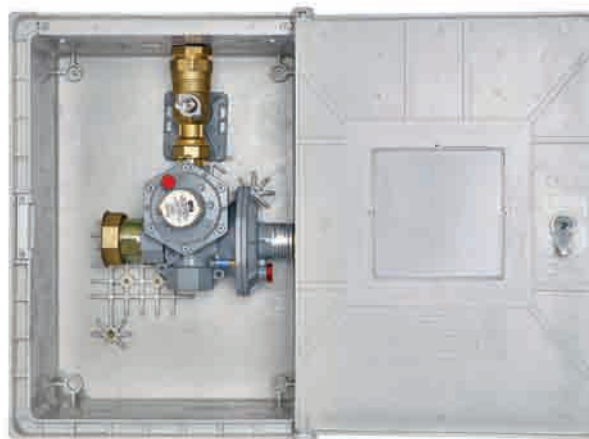
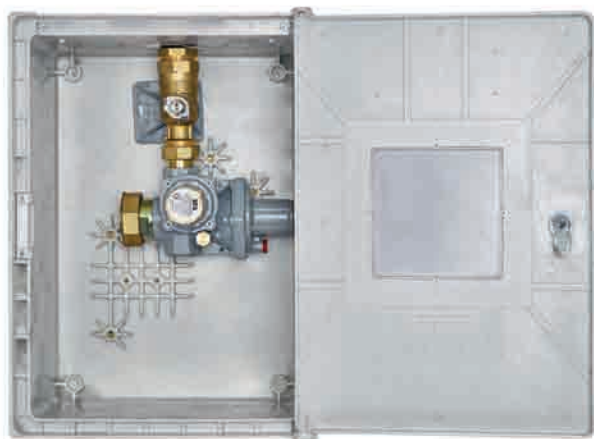
Outlet pressure Range: 18 mbar to 4 bar

Inlet Connection: CAL15 or CAL25
(suitable for PE connection)

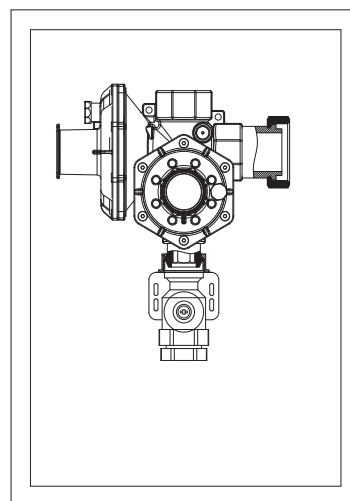
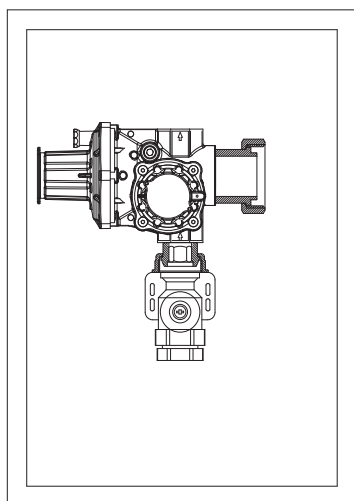
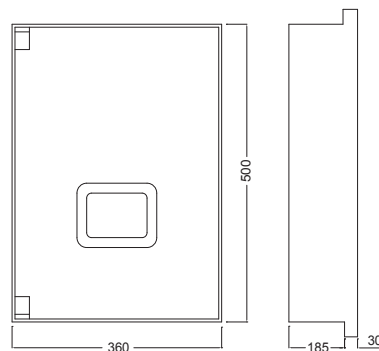
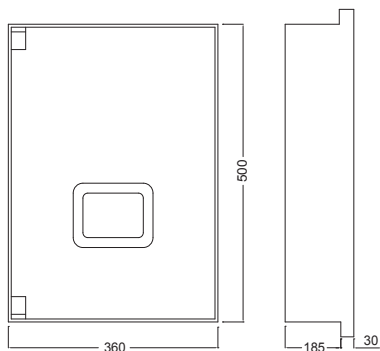
Outlet Connection: Suitable NG plexsy for meter

Security Options: OPS0-UPS0

Set Includes : gas pressure regulator,
S2300 NonFlammable composite cabinet,
CAL15/CAL 25 valve



DIMENSIONS



CES200 Underground Type Cabinets

Usage : Gas networks, industrial and domestic users

Dimensions : 330 x 520 x 249

Flow Range : 2,5-60 m³/h

Regulator : ERG-S, ERG-SE

inlet pressure range: 0,5-4 bar (for 21mbar outlet pressure),

1,5-6 bar (for 500mbar outlet pressure)

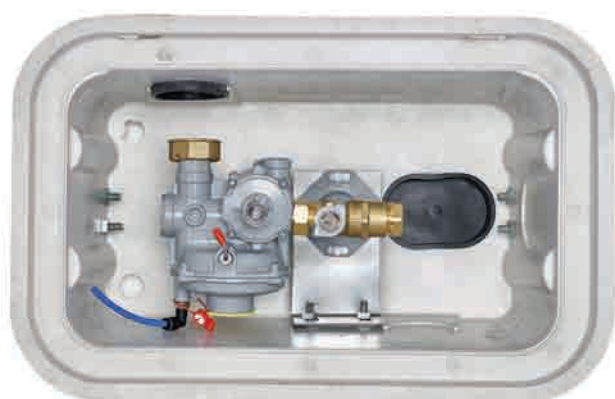
Outlet Pressure Range : 21-500 mbar

Inlet Connection : CAL15 (suitable for PE connection)

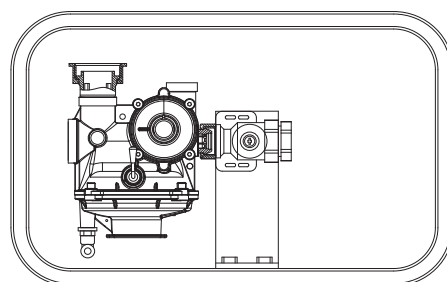
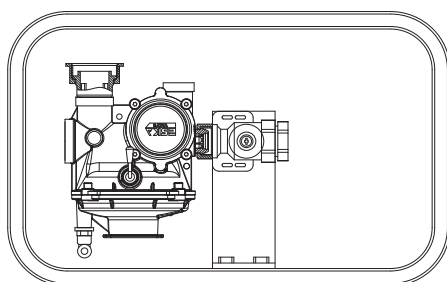
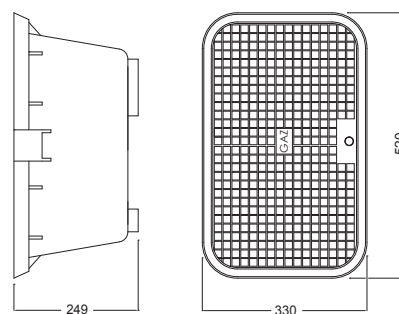
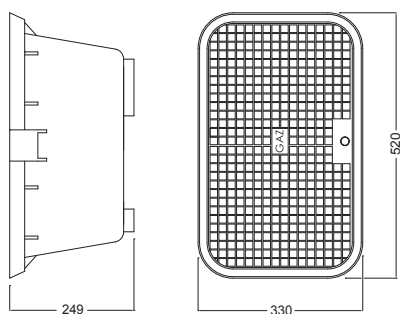
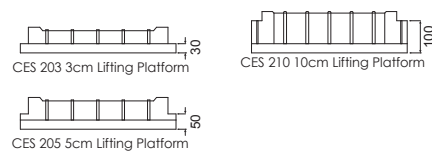
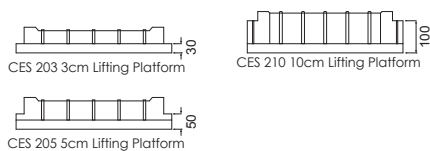
Outlet Connection : 11/4"

Security Options : OPS0-UPSO

Set includes : gas pressure regulator,
CES200 Non Flammable composite cabinet,
CAL15 valve



DIMENSIONS



S700 Wall Type Cabinets

Usage : Gas networks, industrial and domestic users

Dimensions : 305 x 155-230 x 660

Flow Range : 2,5-250 m³/h

Regulator : ERG-S, ERG-SE, ERG-SR, ERG-H1

Inlet Pressure Range : 0,5-4 bar (for 21mbar outlet pressure),
1,5-6 bar (for 300mbar outlet pressure)

Outlet Pressure Range : 21 mbar, to 4 bar

Inlet Connection : CAL15 or CAL25
(suitable for PE connection)

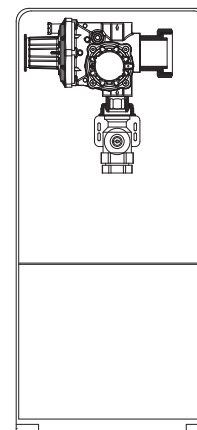
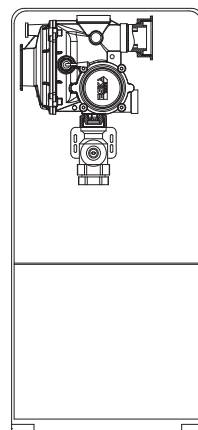
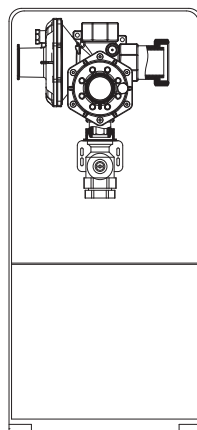
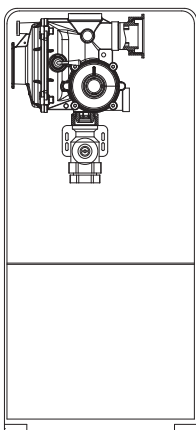
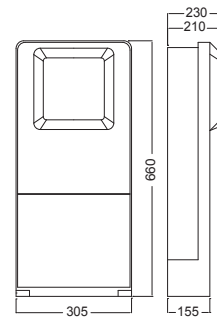
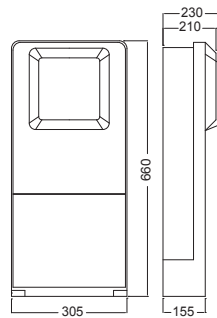
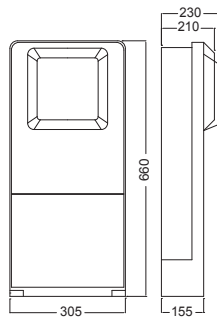
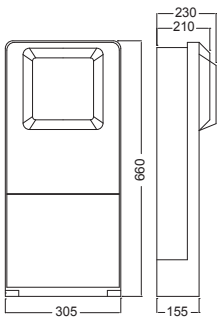
Outlet Connection : 1 1/4" or 2"

Security Options : OPS0-UPS0

Set includes : Gas pressure regulator,
S700 NonFlammable composite cabinet,
CAL15/cal 25 valve)



DIMENSIONS



S2200 Underground Type Cabinets

Usage : Gas networks, industrial and domestic users

Dimensions : 244 x 330 x 173

Flow Range : 2,5-60 m³/h

Regulator : ERG-S, ERG-SE

inlet pressure range: 0,5-4 bar (for 21mbar outlet pressure),
1,5-6 bar (for 300mbar outlet pressure)

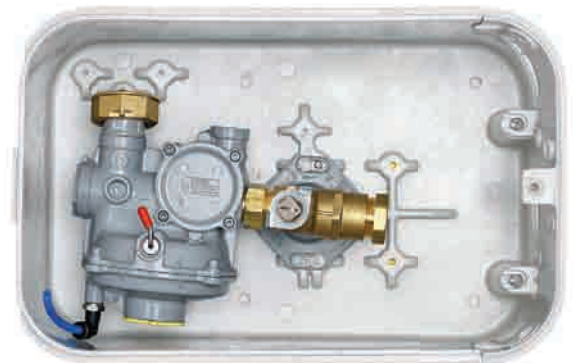
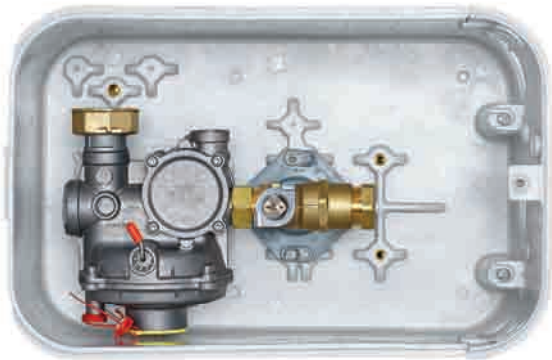
Outlet Pressure Range : 21-500 mbar

Inlet Connection : CAL15 (suitable for PE connection)

Outlet Connection : 11/4"

Security Options : OPS0-UPS0

Set Includes : gas pressure regulator,
S2200 NonFlammable composite cabinet, CAL15 valve



DIMENSIONS

