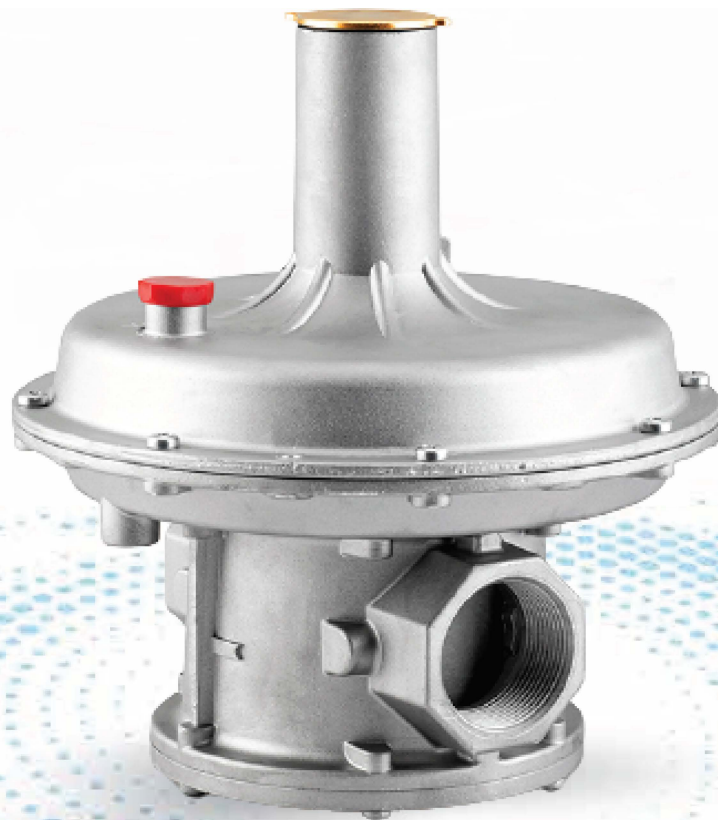


# ESKA

[www.eskavalve.com](http://www.eskavalve.com)

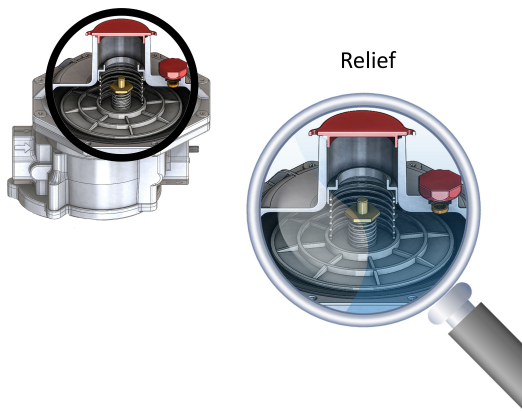


**ERG-H**  
**SERIES**

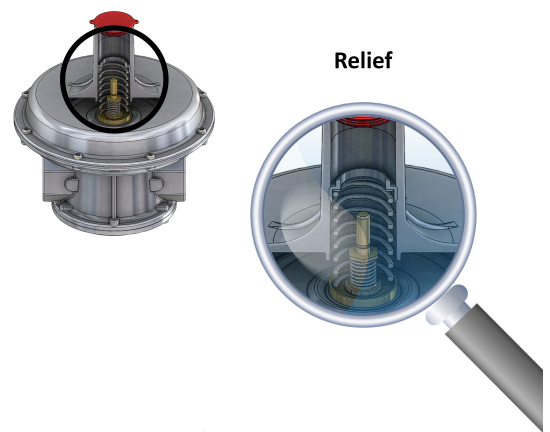
**INTRODUCTORY**

ESKA ERG-H series gas pressure regulators are used in the gas lines in order to reduce maximum 5 bar input pressure to the desired output pressure between 16 and 500 mbar. The range of the output pressure can be set with the choice of different springs.

The regulators are manufactured according to Ped Directive 2014/68/EU. The functional tests are performed according to EN334.

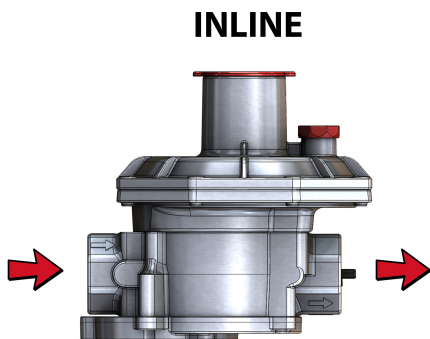


**ERG-H 1015 - 1020 - 1025**

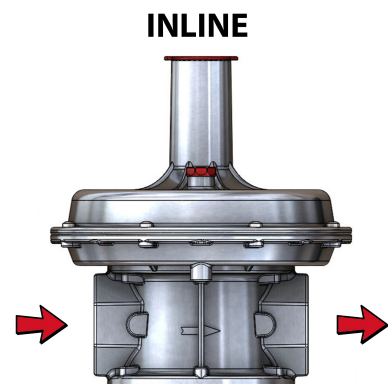


**ERG-H 1032 - 1040 - 1050**

**CONFIGURATIONS**



**ERG-H 1015 - 1020 - 1025**



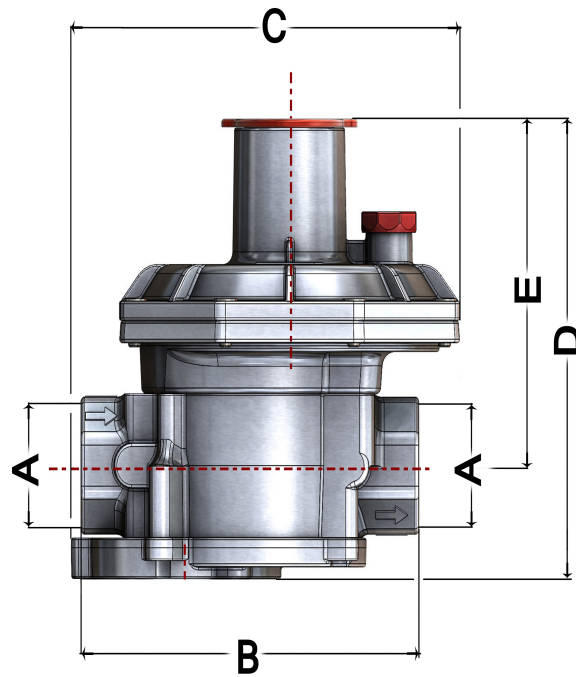
**ERG-H 1032 - 1040 - 1050**

**TECHNICAL INFORMATION**

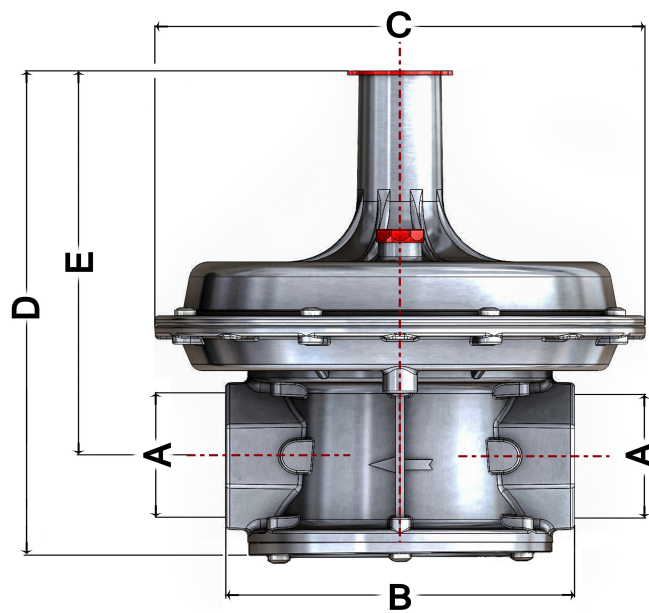
- Usage : City gas networks and gas pipelines in industrial areas
- Medium : Non-corrosive gases such as Natural Gas (Methane), LPG, Town Gas, Air, etc...
- Pressure Class : PN5
- Connection or Port Size : 1/2", 3/4", 1", 1 1/4", 1 1/2", 2" Threaded and (Flanged)
- Inlet Pressure Range : 0.5 up to 5 bar
- Outlet Pressure Range : 16 mbar up to 500 mbar
- Filter : Optional
- Number of Stages : Single Stage
- Accuracy Class : AC 10 ( $\pm 10\%$ ) (On Request AC5, AC15, AC20)
- Ambient Temperature : -20°C up to 60°C (On request -40 °C)
- Shut Off Time : Less than 1 second
  
- Material Standard : Aluminum-EN 1706 / Brass-EN 12164 and EN 12165 / Rubber-EN 549
- According to Directives : 2014/68/EU
- Capacity : Up to 1000m3/h



**DIMENSIONS**



MODEL	A	B	C	D	E
ERG-H 1015	1/2"	136	156	144	110
ERG-H 1020	3/4"	136	156	144	110
ERG-H 1025	1"	136	156	144	110



MODEL	A	B	C	D	E
ERG-H 1032	1 1/4"	160	225	238	183
ERG-H 1040	1 1/2"	160	225	238	183
ERG-H 1050	2"	162	225	238	192