

ESKA

www.eskavalve.com



ERG-H7
SERIES

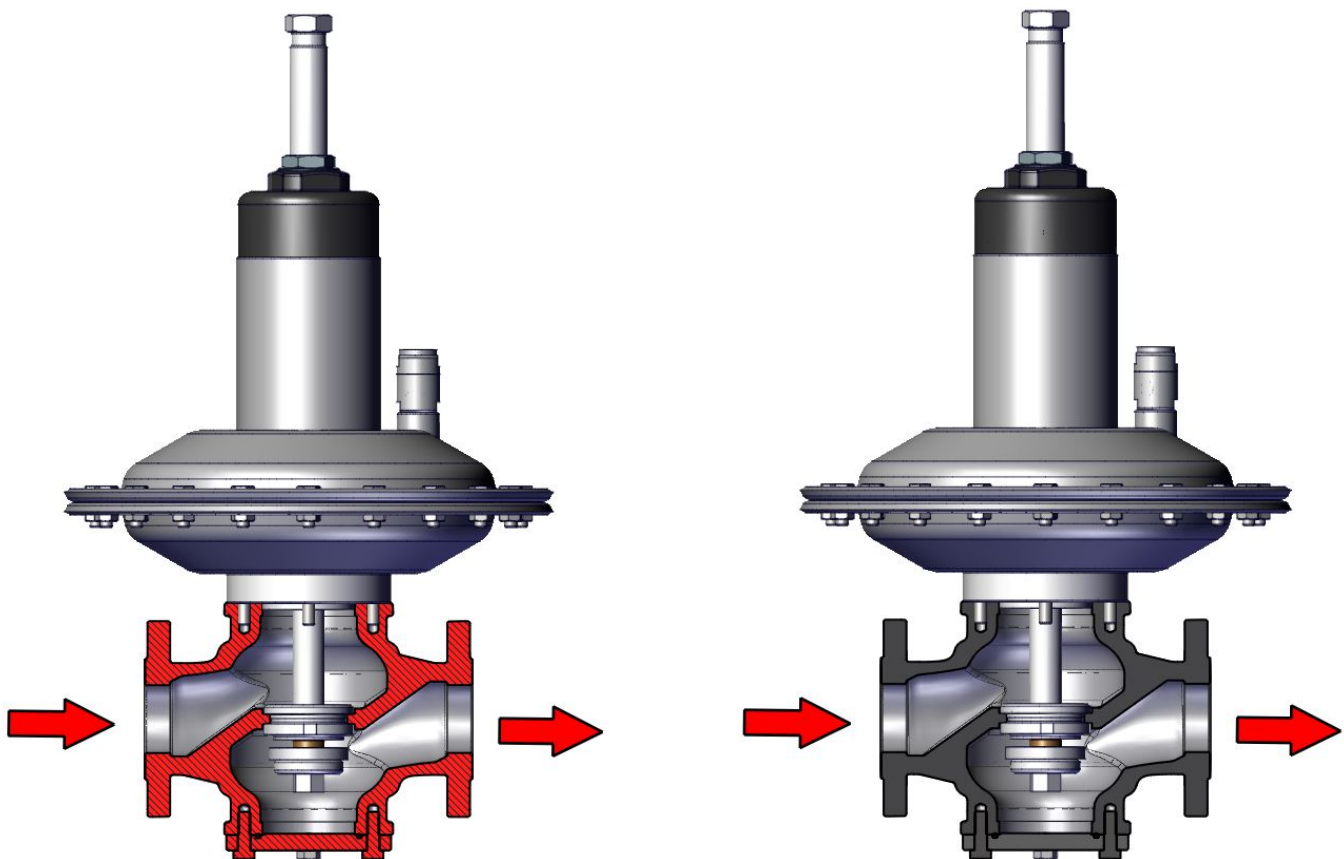
ERG-H7 Series pressure regulator is used on gas line to reduce inlet pressure to desired outlet pressure.

It is mainly used in Distribution of Natural Gas and also suitable to use with non-corrosive gases. ERG-H7 is a single stage direct acting regulator with a optional security systems such as relief valve UPSO and OPSO

FEATURES

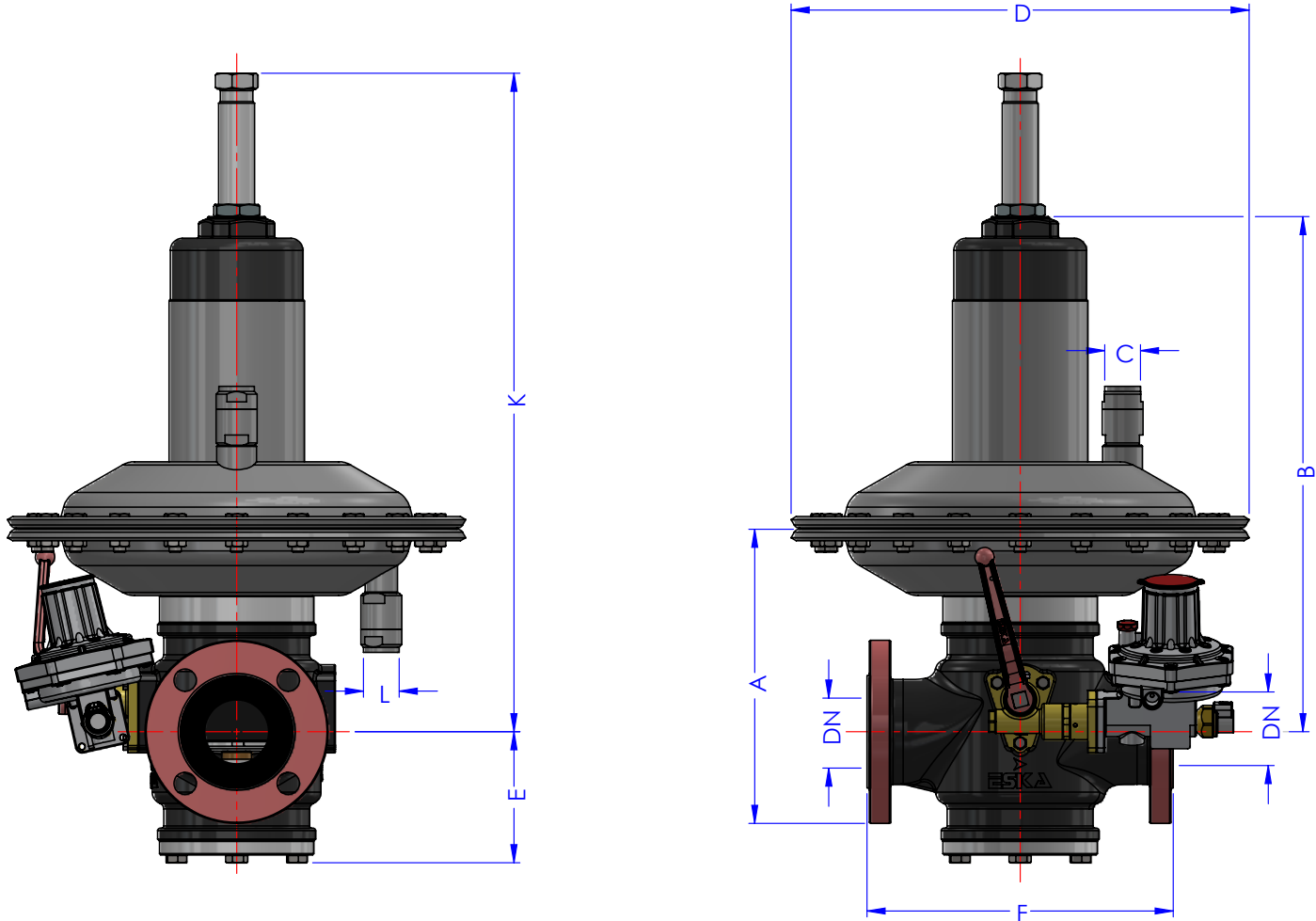
- For medium and high pressure domestic or industrial second group gas lines.
- Max inlet pressure 0,2 to 16 bar.
- Max outlet pressure 20-4000 mbar.
- Outlet pressure tolerance is $\pm 5-10$ (AC5 & AC10)
- Lock up pressure tolerance is max $+10$ (SG30 and SG20 is possible also)
- Can be integrated with UPSO & OPSO
- Temperature class as a standard -20 to +60 Celcius Degree. Low temperature series has ability to work under as low as -40 Celcius Degree.
- Flow direction inline type.

CONFIGURATIONS



INLINE TYPE

DIMENSIONS



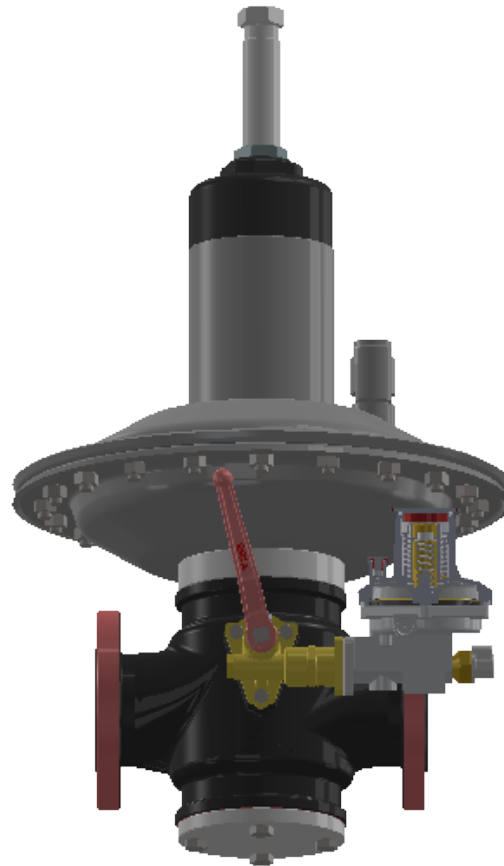
TYPE	DN	A	B	C	D	E	F	K (Max)	K (Min)	L
ERG-H7 LP	50	244	428	G 1/2"	380	109	254	559	451	G 1/2"
ERG-H7 HP	50	244	428	G 1/2"	380	109	254	567	459	G 1/2"
ERG-H7 LP	80	289	421	G 1/2"	380	132	298	583	475	G 1/2"
ERG-H7 HP	80	289	421	G 1/2"	380	132	298	592	484	G 1/2"

OPSO - UPSO

SAFETY AND ACCESSORIES

Over Pressure Shut-Off System

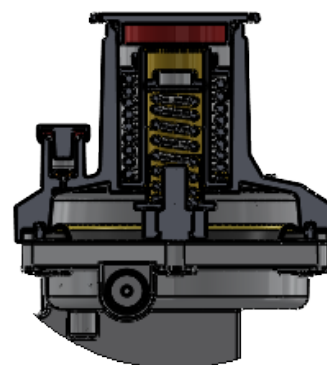
OPSO system is very useful during major breakdown situations and keeps the customer side safe. System works as a security valve and activates itself when the outlet pressure passes OPSO calibration point. OPSO system cuts the gas off, and manual reset is needed to activate the regulator again.



System has an independent shut-off mechanism and orifice and it monitors outlet pressure changes continuously, so activation time is below 2 seconds.

Under Pressure Shut-Off System.

- UPSO system on ERG-H7 series regulator is pressure based. It cuts the gas off when the outlet pressure drops below the UPSO calibration point.
- UPSO valve continuously monitors outlet pressure changes. Scenarios like, pipeline breakdown on outlet sides, or consumption is exceeding the total capacity of regulator or lack of inlet pressure situations etc...the outlet pressure drops and the regulator cuts the gas off once UPSO system is activated.



SPECIFICATIONS

Medium	: Natural Gas, LPG and Non-Corrosive Gases
Operating temperature	: -20... + 60°C (optional : -40... +60°C)
Maximum inlet pressure	: 16 bar
Outlet pressure range	: 20 mbar to 4 bar
Fail Mode	: Fail to Open
DN	: 2" (50) - 3" (80)

DESIGN

The ERG-H7 Series pressure regulator body consists of :

- Valve housing
- Set up tool
- Breather consol.
- Over pressure shut off OPSO
- Under pressure shut off UPSO
- Furthermore the truly "top entry design" allows an easy periodical maintenance without removing body from the line.
- High flow rate coefficient
- High accuracy, even at maximum flow rates
- Reduced response times,
- Periodical maintenance without disassembling the body from the pipework,

MATERIALS

- Body is ductile cast iron
- Rubber components have gas approval according to EN 549
- Head covers is die cast alluminium EN AC-AISI 12

H7 DN 50												
Inlet Pressure	Outlet Pressure											
	0,02	0,05	0,08	0,1	0,3	0,5	0,75	1	1,5	2	3	4
0,2	520	480	430	410								
0,3	650	630	580	580								
0,5	880	860	830	830	580							
0,75	930	1080	1080	1030	880	680						
1	980	1280	1280	1280	1180	1030	730					
1,5	1130	1680	1680	1680	1630	1530	1430	1130				
2	1180	1860	1980	1830	1980	1980	1880	1680	1380			
4	1180	1950	2480	1830	3180	3280	3380	3380	3380	3180	2380	
6	1300	1980	2480	1730	3380	4280	4780	4680	4680	4780	4480	3680
8	1460	2030	2480	1760	3580	4280	4980	5980	6080	6180	6080	5780
10	1580	2180	2780	1760	3680	4280	4980	5980	6980	7480	7480	7480
12	1730	2330	2930	1910	3830	4430	5130	6130	7130	7630	7630	7630
19	2250	2730	2980	2330	3680	4280	4980	5980	6980	8480	10480	12000

H7 DN 80												
Inlet Pressure	Outlet Pressure											
	0,02	0,05	0,08	0,1	0,3	0,5	0,75	1	1,5	2	3	4
0,2	1360	1220	1160	1100								
0,3	1750	1650	1550	1450								
0,5	2250	2200	2200	2100	1550							
0,75	2550	2850	2750	2750	2430	1800						
1	2950	3320	3050	3050	3050	2750	1950					
1,5	3750	4300	3950	3950	4050	4000	3500	2950				
2	5050	5050	5100	4650	5150	5050	4550	4360	3650			
4	5000	6050	5550	5450	7450	8750	7550	8000	8250	8000	6100	
6	5030	6550	5700	5600	8200	11000	10000	10500	12000	12000	10000	9500
8	3000	6500	6000	5100	9400	11000	11000	13000	14000	15000	15000	14500
10	3000	6500	6100	5300	9400	11000	12000	15200	16000	19000	18000	19000
12	3000	6500	6250	5550	9500	11700	13000	15200	16000	19000	20000	20000
19	3100	6600	6350	5650	9600	11800	13100	15300	16100	20000	22000	22000